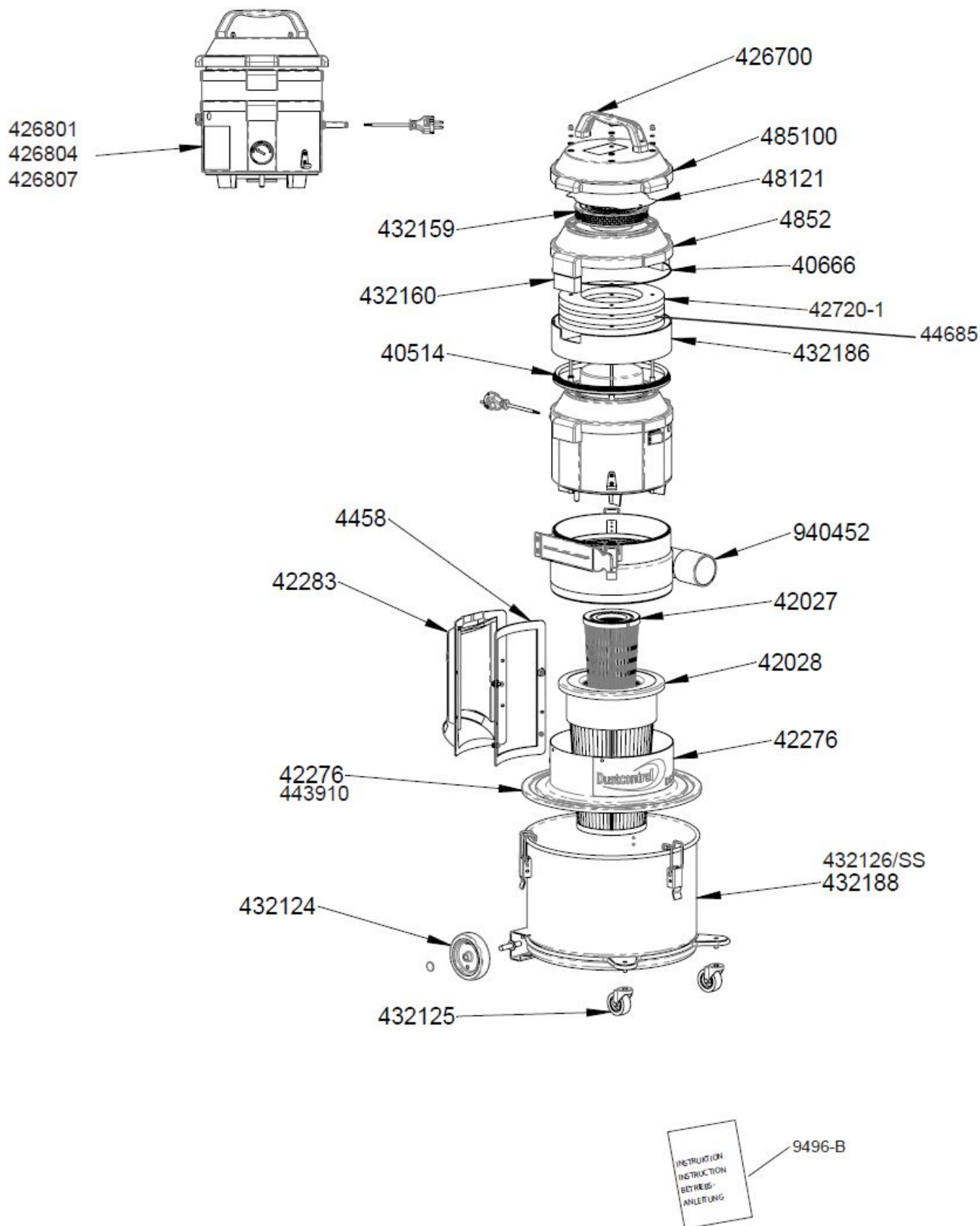


Reservele/Spare parts/Ersatzteile/Pièces de rechange/Recambios/Varasat/  
Reserveonderdelen/Reserveleler/Reservdelar



**Svenska**

| Art nr | Benämning                            | Art nr  | Benämning                        | Art nr | Benämning                                   |
|--------|--------------------------------------|---------|----------------------------------|--------|---|
| 40514  | Packning 15x8 självhäftande          | 426807  | Motoröverdel, DC1800 EX 120 V UK | 4458   | rad Packning utluftskanal 1800/2800         |
| 40666  | Cellgummisnöre D=2+0,1               | 42720-1 | Filter, nedre motoröverdel EX    | 48121  | Förstärkningsplåt, lock                     |
| 42027  | HEPA-filter                          |         |                                  | 485100 | Lock utan hål                               |
| 42028  | Finfilter, polyester                 | 443910  | Cyklon/lock 1800 SS              | 4852   | Lock, för luftfilter                        |
| 42276  | Cyklon/lock 1800                     | 432124  | Hjul, D=100, ESD                 | 940452 | Modul, inlopp ESD monterad                  |
| 42283  | Utluftskanal med absorberent         | 432125  | Länkhjul, H-65, ESD              | 9496-B | Bruksanvisning i original DC 1800/2800 H EX |
| 426700 | Handtag                              | 432126  | Behållare, 1800 EX SS            | 44685  | Packning                                    |
| 426801 | Motoröverdel DC 1800 EX 230 V EU     | 432159  | Luftfilter                       |        |   |
| 426804 | Motoröverdel, DC1800 EX 120 V US/CAN | 432160  | Filterkudde                      |        |   |
|        |                                      | 432186  | Mantel EX plast                  |        |   |
|        |                                      | 432188  | Behållare H EX, monterad         |        |   |

**English**

| Part No | Description                      | Part No | Description                         | Part No | Description                             |
|---------|----------------------------------|---------|-------------------------------------|---------|---|
| 40514   | Gasket 15x8 self-adhesive        | 426804  | Motor cover, DC1800 EX 120 V US/CAN | 432160  | Filter pad                              |
| 40666   | Cell Rubber Cord D=2+0.1         | 426807  | Motor cover, DC1800 EX 120 V UK     | 432186  | Sheath EX plastic                       |
| 42027   | HEPA filter                      | 42720-1 | Filter, lower motor cover EX        | 432188  | Container, mounted                      |
| 42028   | Fine filter, polyester           |         |                                     | 4458    | Gasket, triangular, back valve          |
| 42276   | Cyclone/cap 1800                 | 443910  | Cyclone/cap 1800 Steel, Zinc        | 48121   | Metal washer                            |
| 42283   | Outlet housing with absorberent  | 432124  | Wheel, D=100, ESD                   | 485100  | Solid cover w/o hole                    |
| 426700  | Handle                           | 432125  | Castor, H-65, ESD                   | 4852    | Solid cover                             |
| 426801  | Motor cover, DC 1800 EX 230 V EU | 432126  | Container, mounted, 1800 EX         | 940452  | Module, inlet ESD mounted               |
|         |                                  | 432159  | Air filter                          | 9496-B  | Original instructions DC 1800/2800 H EX |
|         |                                  |         |                                     | 44685   | Gasket                                  |

**Deutsch**

| Art Nr | Bezeichnung                       | Art Nr  | Bezeichnung                               | Art Nr | Bezeichnung                                 |
|--------|-----------------------------------|---------|---|--------|---|
| 40514  | Dichtung 15x8 selbstklebende      | 426807  | EX 120 V US/CAN Motoroberteil, DC1800     | 432186 | Mantel EX Kunststoff                        |
| 40666  | Zellgummischnur D=2+0,1           | 42720-1 | EX 120 V UK Filter, unteren Motor oben EX | 432188 | Behälter, montiert                          |
| 42027  | HEPA-filter                       |         |   | 4458   | Dichtung 3eck rückschlagventil              |
| 42028  | Feinfilter, Polyester             | 443910  | Zyklon Deckel 1800 Stahl, Zink            | 48121  | Blechscheibe                                |
| 42276  | Zyklon Deckel 1800                | 432124  | Rad, D=100, ESD                           | 485100 | Deckel ohne Loch                            |
| 42283  | Auslasskanal mit Isolierung       | 432125  | Lenkrolle, H-65, ESD                      | 4852   | Deckel                                      |
| 426700 | Handgriff                         | 432126  | Behälter, montiert, 1800 EX               | 940452 | Modul, Einlass ESD montiert                 |
| 426801 | Motoroberteil DC 1800 EX 230 V EU | 432159  | Luftfilter                                | 9496-B | Originalbetriebsanleitung DC 1800/2800 H EX |
| 426804 | Motoroberteil, DC1800             | 432160  | Filtermatte                               | 44685  | Dichtung                                    |

**Français**

| Art No | Description                                 | Art No  | Description                                 | Art No | Description                        |
|--------|---|---------|---|--------|------------------------------------|
| 40514  | Joint 15x8 auto-adhésif                     | 426807  | CAN Couvercle du moteur, DC1800 EX 120 V UK | 432186 | Gaine plastique EX                 |
| 40666  | Cordon en caoutchouc cellulaire D = 2 + 0,1 | 42720-1 | Filtres, inférieure haut moteur EX          | 432188 | Container, monté                   |
| 42027  | Microfiltre HEPA                            |         |   | 4458   | Garniture d'étanch. triangulai     |
| 42028  | Filtre fin, Polyester                       | 443910  | Le couvercle du cyclone L'acier, le zinc    | 48121  | Plaque tôle                        |
| 42276  | Le couvercle du cyclone                     | 432124  | Roue, D=100, ESD                            | 485100 | Couvercle sans trou                |
| 42283  | Conduite de sortie avec insonorisante       | 432125  | Castors, H-65, ESD                          | 4852   | Garniture d'étancheite             |
| 426700 | Poignée                                     | 432126  | Container, monté 1800 EX                    | 940452 | Module, ESD entrée monté           |
| 426801 | Couvercle du moteur DC 1800 EX 230 V EU     | 432159  | Filtre à air                                | 9496-B | Notice originale DC 1800/2800 H EX |
| 426804 | Couvercle du moteur, DC1800 EX 120 V US/    | 432160  | Tampon de filtre                            | 44685  | Joint                              |

*Español*

| Ref    | Descripción                               | Ref     | Descripción                               | Ref    | Descripción                          |
|--------|---|---------|---|--------|--------------------------------------|
| 40514  | Autoadhesiva 15x8 Junta                   | 426807  | DC1800 EX 120 V US/CAN                    | 432160 | Almohadilla de filtro                |
| 40666  | Cell cuerdas de caucho<br>D = 2 + 0.1     |         | Cubierta del motor,                       | 432186 | Vaina EX plástico                    |
| 42027  | Filtro HEPA                               | 42720-1 | DC1800 EX 120 V UK                        | 432188 | Contenedor, montado                  |
| 42028  | Filtro aleta, polyester                   |         | Filtro, cubierta inferior del<br>motor EX | 4458   | Gásquet                              |
| 42276  | Ciclón/cap 1800                           | 443910  | Ciclón/cap 1800 Acero,<br>zinc            | 48121  | Arandela de metal                    |
| 42283  | Aire salida con absor<br>bente            | 432124  | Rueda, D=100, ESD                         | 485100 | Cubierta sólida sin<br>agujero       |
| 426700 | Manija                                    | 432125  | Ruedas, H-65, ESD                         | 4852   | Cubierta sólida                      |
| 426801 | Cubierta del motor<br>DC 1800 EX 230 V EU | 432126  | Contenedor, montado,<br>1800 EX           | 940452 | Módulo, EDS de<br>entrada montado    |
| 426804 | Cubierta del motor,                       | 432159  | Los filtros de airer                      | 9496-B | Manual original<br>DC 1800/2800 H EX |
|        |   |         |   | 44685  | Autoadhesiva                         |

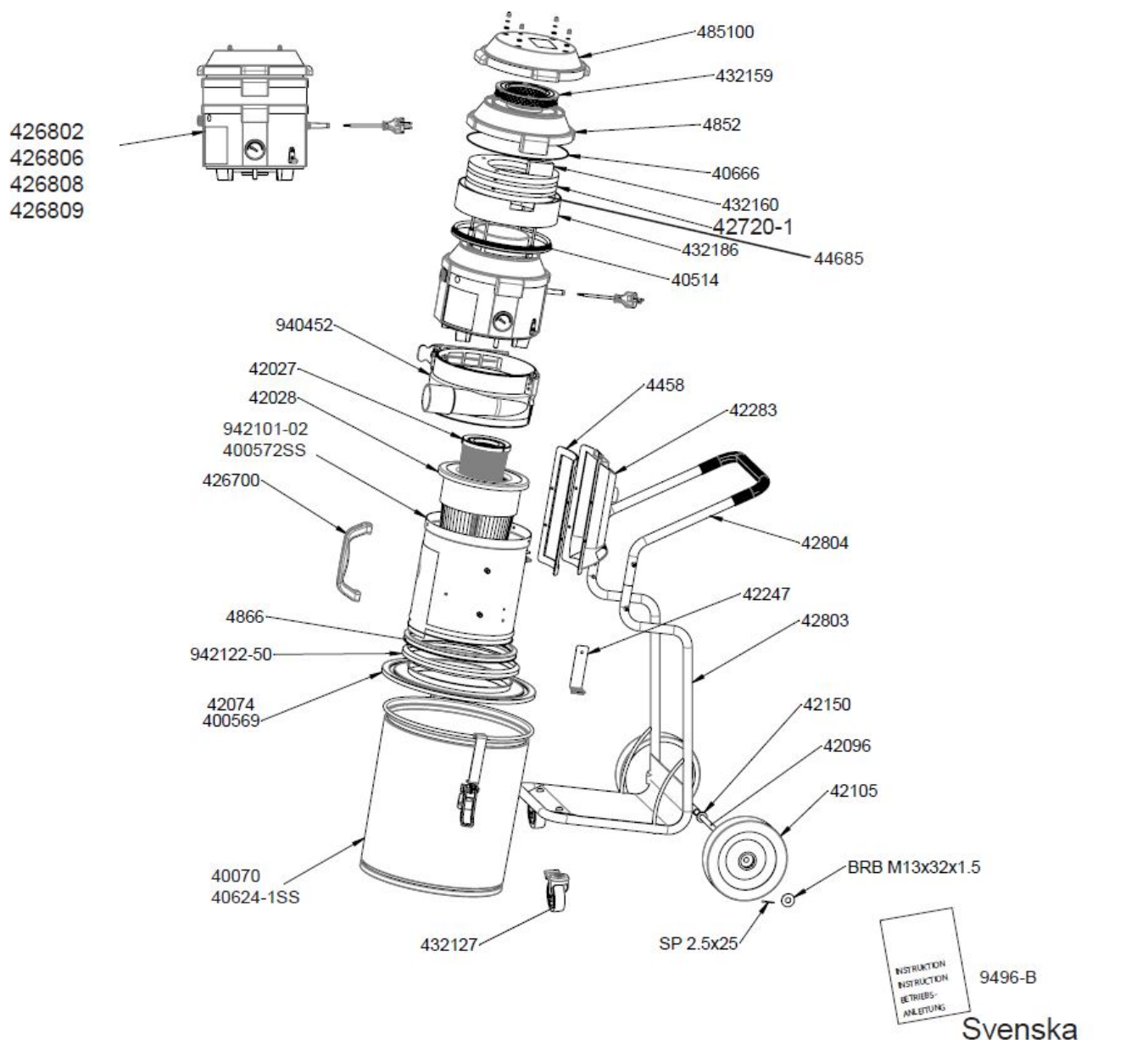
*Nederlands*

| Art. Nr. | Omschrijving                        | Art. Nr. | Omschrijving                      | Art. Nr. | Omschrijving   |
|----------|-------------------------------------|----------|-----------------------------------|----------|--|
| 40514    | Pakking 15x8 zelfklevend            | 426807   | Motorkap, DC1800 EX 120 V<br>UK   | 432186   | Schede EX plastic  |
| 40666    | Cel Rubber Koord D=2+0.1            |          | Filter, lagere motorkap EX        | 432188   | Container, gemonteerd                                      |
| 42027    | Microfilter                         | 42720-1  | Cyclone/cap 1800 Staal,<br>zink   | 4458     | Pakking 1800/2800  |
| 42028    | Fijn filter, polyester              | 443910   | Wiel, D=100, ESD                  | 48121    | Metalen ring   |
| 42276    | Cyclone/cap 1800                    | 432124   | Zwenkwielen, H-65, ESD            | 485100   | Solide deksel zonder<br>gat                                |
| 42283    | Uitluchtkanaal met absor<br>bens    | 432125   | Container, gemonteerd,<br>1800 EX | 4852     | Solide deksel  |
| 426700   | Handvat                             | 432126   | Luchtfiler                        | 940452   | Module, inlaat ESD<br>gemonteerd                           |
| 426801   | Motorkap DC 1800 EX<br>230 V EU     | 432159   | Filter pad                        | 9496-B   | Oorspronkelijke<br>gebruiksaanwijzing<br>DC 1800/2800 H EX |
| 426804   | Motorkap, DC1800 EX<br>120 V US/CAN | 432160   |                                   | 44685    | Pakking  |

**РУССКИЙ**

| Арт. № | Наименование                            | Арт. №  | Наименование                            | Арт. № | Наименование                                   |
|--------|---|---------|---|--------|--|
| 40514  | Прокладка 15x8<br>самоклеящиеся         | 426807  | DC1800 EX 120 V<br>US/CAN               | 432160 | Фильтр площадка                                |
| 40666  | Сотовый резиновым<br>шнуром D = 2 + 0,1 | 42720-1 | Крышка двигателя,<br>DC1800 EX 120 V UK | 432186 | Оболочка EX пластик                            |
| 42027  | HEPA фильтр                             | 443910  | Фильтр, ниже крышка<br>двигателя EX     | 432188 | Контейнер,<br>установленный                    |
| 42028  | тонкий фильтр<br>полиэстер              | 432124  | Циклон/крышка 1800<br>Сталь, цинк       | 4458   | Прокладка                                      |
| 42276  | Циклон/крышка 1800                      | 432125  | Колесо, D=100, ESD                      | 48121  | Металлическая шайба                            |
| 42283  | Корпус выхода с<br>глушителем           | 432126  | Ролики, H-65, ESD                       | 485100 | Твердые обложки без<br>отверстия               |
| 426700 | Ручка                                   | 432159  | Контейнер,<br>установленный,<br>1800 EX | 4852   | Твердая обложка                                |
| 426801 | Крышка двигателя<br>DC 1800 EX 230 V EU | 432160  | Воздушный фильтр                        | 940452 | Модуль, на входе ESD<br>установлен             |
| 426804 | Крышка двигателя,                       |         |   | 9496-B | Инструкци<br>пользователя<br>DC 1800/2800 H EX |
|        |   |         |   | 44685  | Прокладка                                      |

## DC 2800 H EX



| Art nr  | Benämning                            | Art nr  | Benämning                             | Art nr    | Benämning                                    |
|---------|--------------------------------------|---------|---------------------------------------|-----------|--|
| 400569  | Cyklon/lock elpolerad SS             | 42247   | Jordbleck                             | 432127    | Länkhjul, H=100, D=75 låsbart ESD            |
| 400572  | Cyklon, EX, elpolerad                | 42283   | Utluftskanal med absorberent          | 432159    | Luftfilter                                   |
| 40070   | Behållare, plåt                      | 426700  | Handtag                               | 432160    | Filterkudde                                  |
| 40514   | Packning 15x8 självhäftande          | 426802  | Motoröverdel DC 2800 EX230 V EU       | 432186    | Mantel EX plast                              |
| 40624-1 | Behållare, 40 l, komplett rostfri SS | 425806  | Motoröverdel, DC 2800 EX 120 V US/CAN | 4458      | Packning utluftskanal 1800/2800              |
| 40666   | Cellgummisnöre D=2+0,1               | 426808  | Motoröverdel, DC 2800 EX 120V UK      | 485100    | Lock utan hål                                |
| 42027   | Mikrofilter                          | 426809  | Motoröverdel, DC 2800 EX 120V UK      | 4852      | Lock, för luftfilter                         |
| 42028   | Finfilter, polyester                 | 42720-1 | Filter, nedre motoröverdel EX         | 4866      | Gummimanschett D=240                         |
| 42074   | Lock                                 | 42803   | Chassi                                | 940452    | Modul, inlopp ESD monterad                   |
| 42096   | Hjulaxel                             | 42804   | Chassi handtag                        | 9496 - B  | Bruksanvisning i original, DC 1800/2800 H EX |
| 42105   | Hjul                                 |         |                                       | 942101-02 | Modul, mantel                                |
| 42150   | Distans                              |         |                                       | 44685     | Packning                                     |
|         |                                      |         |                                       | 942122-50 | Spänning, cyklon-behållare                   |

## DC 2800 EX

### English

| Part No | Description                         | Part No | Description                          | Part No   | Description                             |
|---------|-------------------------------------|---------|--------------------------------------|-----------|---|
| 400569  | Cyclone/cap, rostproof              | 42247   | Ground plate                         | 432127    | Caster H=100 ESD locking device         |
| 400572  | Cyclone, EX, rostproof              | 42283   | Outlet housing with absorbent        | 432159    | Air filter                              |
| 40070   | Container, metal                    | 426700  | Handle                               | 432160    | Filter pad                              |
| 40514   | Gasket 15x8 self-adhesive           | 426802  | Motor cover, DC 2800 EX 230 V EU     | 432186    | Sheath EX plastic                       |
| 40624-1 | Container, 40 l, complete rostproof | 426804  |                                      | 4458      | Gasket, triangular, back valve          |
| 40666   | Cell Rubber Cord D=2+0.1            | 425806  | Motor cover, DC 2800 EX 120 V US/CAN | 485100    | Solid cover w/o hole                    |
| 42027   | HEPA filter                         | 426808  | Motor cover, DC 2800 EX 120 V UK     | 4852      | Solid cover                             |
| 42028   | Fine filter, polyester              | 426809  | Motor cover, DC 2800 EX 120 V UK     | 4866      | Rubber connector D=240                  |
| 42030   | Spring                              | 42720-1 | Filter, lower motor cover EX         | 940452    | Module, inlet ESD mounted               |
| 42074   | Bottom Cup                          | 42803   | Chassis                              | 9496 - B  | Original instructions DC 1800/2800 H EX |
| 42096   | Axle, for wheels                    | 42804   | Chassis handle                       | 942101-02 | Module, jacket                          |
| 42105   | Wheel                               |         |                                      | 44685     | Gasket                                  |
| 42150   | Spacer                              |         |                                      | 942122-50 | Clamping ring                           |

### Deutsch

| Art Nr  | Bezeichnung                   | Art Nr  | Bezeichnung                             | Art Nr    | Bezeichnung                                 |
|---------|-------------------------------|---------|---|-----------|---|
| 400569  | Zyklon/Kappe rostfrei SS      | 42283   | Auslasskanal mit Isolierung             |           | schliessbar ESD                             |
| 400572  | Zyklon, EX, rostfrei          | 426700  | Handgriff                               | 432159    | Luftfilter                                  |
| 40070   | Behälter 40 l                 | 426802  | Motorabdeckung, DC 2800 EX 230 V EU     | 432160    | Filtermatte                                 |
| 40514   | Dichtung 15x8 selbstklebende  | 425806  | Motorabdeckung, DC 2800 EX 120 V US/CAN | 432186    | Mantel EX Kunststoff                        |
| 40624-1 | Behälter, 40 l, Komp rostfrei | 426808  | Motorabdeckung, DC 2800 EX 120 V UK     | 4458      | Dichtung 3eck rückschlagventil              |
| 40666   | Zellgummischnur D=2+0,1       | 426809  | Motorabdeckung, DC 2800 EX 120 V UK     | 485100    | Deckel ohne Loch                            |
| 42027   | Mikrofilter                   | 42720-1 | Filter, unteren Motor oben EX           | 4852      | Deckel                                      |
| 42028   | Feinfilter, Polyester         | 42803   | Chassis                                 | 4866      | Gummimanschette D=240                       |
| 42074   | Bodendeckel                   | 42804   | Chassis Griff                           | 940452    | Modul, Einlass ESD montiert                 |
| 42096   | Radachse                      | 432127  | Lenkrolle, H=100 ver                    | 9496 - B  | Originalbetriebsanleitung DC 1800/2800 H EX |
| 42105   | Rad                           |         |   | 44685     | Dichtung                                    |
| 42150   | Distanz                       |         |   | 942101-02 | Modul, Mantel                               |
| 42247   | Bodenplatte                   |         |   | 942122-50 | Klemmring                                   |

### Français

| Art No  | Description                                 | Art No  | Description                           | Art No    | Description                        |
|---------|---|---------|---------------------------------------|-----------|------------------------------------|
| 400569  | Cyclonique/chapeau stainless steel SS       | 42283   | Conduite de sortie avec insonorisante | 432159    | Filtre à air                       |
| 400572  | Cyclonique, EX, stainless steel             | 426700  | Poignée                               | 432160    | Tampon de filtre                   |
| 40070   | Conteneur                                   | 426802  | Capot moteur, DC 2800 EX 230 V EU     | 432186    | Gaine plastique EX                 |
| 40514   | Joint 15x8 auto-adhésif                     | 425806  | Capot moteur, DC 2800 EX 120 V US/CAN | 4458      | Garniture d'étanch. triangulai     |
| 40624-1 | Conteneur, 40 l, stainless steel            | 426808  | Capot moteur, DC 2800 EX 120V UK      | 485100    | Couvercle sans trou                |
| 40666   | Cordon en caoutchouc cellulaire D = 2 + 0,1 | 426809  | Capot moteur, DC 2800 EX 120V UK      | 4852      | Garniture d'étancheite             |
| 42027   | Microfiltre                                 | 42720-1 | Filtres, inférieure haut moteur EX    | 4866      | Manchette caoutchouc D=240         |
| 42028   | Filtre fin, polyester                       | 42803   | Châssis                               | 940452    | Module, ESD entrée monté           |
| 42074   | Bas de la Coupe                             | 42804   | Poignée de châssis                    | 9496 - B  | Notice originale DC 1800/2800 H EX |
| 42096   | Axe Roue                                    | 432127  | Castor, H = 100 ver rouillable ESD    | 942101-02 | Veste de module                    |
| 42105   | Roue  |         |                                       | 44685     | Joint                              |
| 42150   | Rondelle D'Ecartement                       |         |                                       | 942122-50 | Bague de serrage                   |
| 42247   | Plaque de sol                               |         |                                       |           |                                    |

## DC 2800 EX

*Español*

| Ref     | Descripción                             | Ref     | Descripción                             | Ref       | Descripción                       |
|---------|---|---------|---|-----------|-----------------------------------|
| 400569  | Ciclónica/capuchón stainless steel SS   | 42283   | cajetín de salida con un absorbente     | 432159    | Los filtros de airer              |
| 400572  | Ciclónica, EX, stainless steel          | 426700  | Manija                                  | 432160    | Almohadilla de filtro             |
| 40070   | Los contenedores, las placas            | 426802  | Cubierta del motor                      | 432186    | Schede EX plastic                 |
| 40514   | Autoadhesiva 15x8 Junta                 | 425806  | DC 2800 EX 230 V EU Cubierta del motor, | 4458      | Gásquet                           |
| 40624-1 | Los contenedores, 40 l, stainless steel | 426808  | DC 2800 EX 120 V US/CAN                 | 485100    | Cubierta sólida sin agujero       |
| 40666   | Cell cuerdas de caucho D = 2 + 0.1      | 426809  | Cubierta del motor, DC 2800 EX 120 V UK | 4852      | Cubierta sólida                   |
| 42027   | Filtro HEPA                             | 42720-1 | Filtro, cubierta inferior del motor EX  | 4866      | Goma de puños D=240               |
| 42028   | Filtro aleta, polyester                 | 42803   | Chasis                                  | 940452    | Módulo, EDS de entrada montado    |
| 42074   | Bloqueo                                 | 42804   | Manija del chasis                       | 9496 - B  | Manual original DC 1800/2800 H EX |
| 42096   | Eje                                     | 432127  | Ricino, H = 100 EDS sellable            | 942101-02 | Chaqueta de módulo                |
| 42105   | Ruedas                                  |         |   | 942122-50 | Anillo de apriete                 |
| 42150   | Distancia                               |         |   | 44685     | Autoadhesiva                      |
| 42247   | Placa de tierra                         |         |   |           |                                   |

*Nederlands*

| Art. Nr. | Omschrijving                      | Art. Nr. | Omschrijving                     | Art. Nr.  | Omschrijving   |
|----------|-----------------------------------|----------|----------------------------------|-----------|--|
| 400569   | Cycloon/pet stainless steel SS    | 42150    | Tussenlaag                       | 432159    | Luchtfilter  |
| 400572   | Cycloon, EX, stainless steel      | 42247    | Aardplaat                        | 432160    | Filter pad   |
| 40070    | Containers                        | 42283    | Uitluchtkanaal met absorbers     | 432186    | Schede EX plastic                                    |
| 40514    | Pakking 15x8 zelfklevend          | 426700   | Handvat                          | 4458      | Pakking  |
| 40624-1  | Containers, 40 l, stainless steel | 426802   | Motorkap DC 2800 EX 230 V EU     | 485100    | Solide deksel zonder gat                             |
| 40666    | Cel Rubber Koord D=2+0.1          | 425806   | Motorkap, DC2800 EX 120 V US/CAN | 4852      | Solide deksel  |
| 42027    | Microfilter                       | 426808   | Motorkap, DC 2800 EX 120 V UK    | 4866      | Rubberen manchete D=240                              |
| 42028    | Fijn filter, polyester            | 426809   | Motorkap, DC 2800 EX 120 V UK    | 4873      | Zwenkwielen  |
| 42074    | Deksel                            | 42720-1  | Filter, lagere motorkap EX       | 940452    | Module, inlaat ESD gemonteerd                        |
| 42096    | Wielstel                          | 42803    | Chassis                          | 9496 - B  | Oorspronkelijke gebruiksaanwijzing DC 1800/2800 H EX |
| 42105    | Wiel                              | 42804    | Chassis handvat                  | 942101-02 | Module jasje   |
| 42150    | Afstand                           | 432127   | Castor, H = 100 afdicht          | 942122-50 | Klemring   |
| 42199    | Borstelloze motor 230 V           |          |                                  | 44685     | Pakking  |
| 42248    | Pakking                           |          |                                  |           |  |
| 42249    | O Ring                            |          |                                  |           |  |

| Арт. №  | Наименование                         | Арт. №  | Наименование                             | Арт. №    | Наименование                              |
|---------|--------------------------------------|---------|--|-----------|---|
| 400569  | Циклон/крышка, stain less steel SS   | 42283   | пластина<br>Корпус выхода с глушителем   | 432159    | Воздушный фильтр                          |
| 400572  | Циклонический, EX, stainless steel   | 426700  | Ручка                                    | 432160    | Фильтр площадка                           |
| 40070   | Контейнер, металл                    | 426802  | Крышка двигателя, DC 2800 EX 230 V EU    | 432186    | Оболочка EX пластик                       |
| 40514   | Прокладка 15x8 самоклеящиеся         | 425806  | Крышка двигателя, DC2800 EX 120 V US/CAN | 4458      | Прокладка                                 |
| 40624-1 | Контейнер, 40 l, stain less steel    | 426808  | Крышка двигателя, DC 2800 EX 120 V UK    | 485100    | Твердые обложки без отверстия             |
| 40666   | Сотовый резиновым шнуром D = 2 + 0,1 | 426809  | Крышка двигателя, DC 2800 EX 120 V UK    | 4852      | Твердая обложка                           |
| 42027   | HEPA фильтр                          | 42720-1 | Фильтр, ниже крышка двигателя EX         | 4866      | Резина манжета D=240                      |
| 42028   | тонкий фильтр полиэстер              | 42803   | Шасси                                    | 4873      | Поворотное колесо                         |
| 42030   | Пружина                              | 42804   | Ручка шасси                              | 940452    | Модуль, на входе ESD установлен           |
| 42074   | Нижняя Кубок                         | 432127  | Касторовое, H = 100 закрывающийся ESD    | 9496 - B  | Инструкции пользователя DC 1800/2800 H EX |
| 42096   | Ось для колес                        |         |  | 942101-02 | модуль жакет                              |
| 42105   | Колесо                               |         |  | 942122-50 | Зажимное кольцо                           |
| 42150   | Шайба                                |         |  | 44685     | Прокладка                                 |
| 42247   | Заземляющая                          |         |  |           |   |